

professional



medical



healthcare

Meditelle

British producer of specialist medical equipment

About Us

Meditelle specialises in producing medical equipment for businesses and organisations including Primary Care Practices, NHS Hospitals, Private Hospitals, GP surgeries, Health Centres, general medical, First Aid, Nursing Homes and care environments. We design and manufacture our comprehensive range of medical equipment products in the UK and have extensive experience of meeting the precise needs of Doctors, Surgeons, Physicians, Midwives, Nurses, General Practitioners, Dental Practitioners and other health care professionals.

Meditelle is part of the Beutelle Group of companies - an established UK manufacturer & supplier of specialist professional equipment.

From Design to Manufacture & Delivery...

Innovative New Products

Through innovative design and the use of new modern materials Meditelle provide a practical product range which is hygienic, safe and user friendly. We are able to react quickly to our customers' requirements and utilise the very latest components and materials to design and build modern, functional and durable couches and equipment; e.g. all our couches have been designed to accept heavier patient loads and include power assisted backrests to reduce the manual handling risks for practitioners.

Healthcare Guidelines

Meditelle complies with recommendations and guidelines provided by British Standards and CE marking (see page 1).

Health & Safety

Meditelle anti-microbial vinyls and framework incorporate an infection proof additive which is effective at reducing the spread of bacteria such as E coli and MRSA.

Manufacturer Guarantee

Meditelle guarantees couches and equipment products against mechanical defect for 1 year and framework for 5 years.

Manufacturers Annual Maintenance Service

For additional peace of mind Meditelle offers a comprehensive maintenance and servicing facility which incorporates an onsite visit by a Meditelle Technician with full equipment safety/inspection check and routine maintenance.

Delivery & Installation

A courier delivery service is offered free throughout the UK, alternatively let Meditelle install your new equipment on a day to suit you, minimising disruption and saving you valuable time.

Bespoke Products & Product Modifications

All Meditelle products are manufactured to order in our British factory. If you cannot find the exact size or specification you require we can re-design and modify our products to meet your own particular requirements.

Quotations & Tenders

As an established equipment manufacturer and supplier, we are familiar with tendering and quotation procedures. Our sales and technical service staff are happy to assist with all types of enquiry in order to achieve the most competitive equipment proposal for your organisation. Please telephone us on **0121 332 1850** or email **enquiry@meditelle.co.uk**







Our products

The Meditelle portfolio has been specifically designed for the healthcare environment and encompasses products suitable for examination, assessment and clinical treatment.

Index


- 2 Medical Plinths
- 6 Treatment Couches & Chairs
- 10 Clinic & Minor Op Chairs
- 13 Procedure Devices & Attachments
- 14 Features & Options
- 15 Vinyl Guide
- 16 Examination & First Aid Couches
- 18 Practice Furniture
- 20 Storage Solutions
- 22 Privacy & Safety Solutions
- 24 Seating Solutions


Key to Symbols

-  Hydraulic height adjustment offered
-  Electronic height adjustment offered
-  Anti-microbial Vinyl suitable for use in high risk infection control areas
-  Anti-bacterial Frame Coating for defence against microbial contamination



Meditelle Quality & Safety Standards

 Meditelle products meet relevant British safety regulations within British Safety Standards BS3379/BS5852 and BS EN 60601-1:1190 and BS EN 60601-2-38 and The Furniture & Fire Safety Regulations S11324:1989.

 All Meditelle medical products including Plinths; Couches; Chairs; Practice Furniture; Trolleys; Screening and Seating are CE marked as a medical device and comply with The Medical Devices Directive's essential requirements in Annex 1 of EC Directive 93/42/EEC and the technical documentation is detailed within the 'technical file'.

Meditelle couches have been load tested in accordance with CE requirements. Electronic and hydraulic couch and chair models have a Lifting Capacity and Safe Working Load (SWL) of 225kgs; static couches and plinths have a SWL of 225kgs; portable couches have a SWL of 160kgs.

All Electronic Couches feature a CE approved 24v DC (6000n, 3.5amp) electric motor which has been tested for mechanical safety and load bearing and complies with: EMC Directive 89/336/EØF to standard EN50082-1:97, EN50081-1:92, EN61000-3-2:95, A1:98, A2:98, A14:00, EN 61000 3 3:95; Low Voltage Directive 73/23/EØF to standard EN60335-1:94, EN 60742. Electronic height couches are designed to descend low enough for ease of patient transfer.

For Upholstery Vinyl Technical Information & Quality Standards see page 15.



T: 0121 332 1850 F: 0121 332 1851 W: www.meditelle.co.uk E: enquiry@meditelle.co.uk



T: 0121 332 1850 F: 0121 332 1851 W: www.meditelle.co.uk E: enquiry@meditelle.co.uk



Medical Plinth

Charcot electronic two-section

- Electronic height operation as standard
- Electronic rail around base provides instant height adjustment by foot operation from all sides
- Power assisted backrest section control provides smooth and swift adjustment
- Twin steel pillar for added stability and rigidity
- Retractable wheel base with foot lever control
- Double layered high grade density 2" foam upholstery
- Steel frame with white anti-microbial protective coating



Options

- Additional +3" width
- Breather hole
- Anatomic memory foam
- Alternative hydraulic height operation
- Choice of anti-microbial vinyl upholstery colours - see page 15

Attachments

- A1-A9 - see page 13

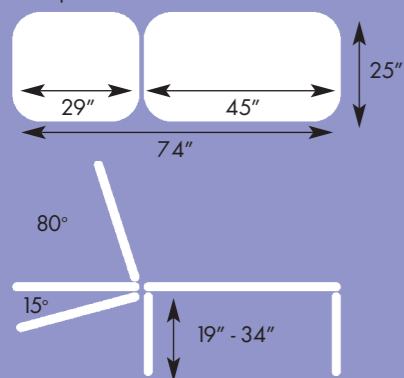


Special note:



Foot touch rail around base provides hands free instant electronic height adjustment from all sides of plinth.

Footprint: 23" x 57"



Medical Plinth

Jenner electronic three-section transposable

- Electronic height operation as standard
- Electronic rail around base provides instant height adjustment by foot operation from all sides
- Transposable ends feature lifting double ratchet section and power assisted section
- Breather holes in both sections as standard
- Twin steel pillar for added stability
- Retractable wheel base with foot lever control
- Double layered high grade density 2" foam upholstery
- Steel frame with white anti-microbial protective coating



Options

- Additional +3" width
- Anatomic memory foam
- Alternative hydraulic height operation
- Choice of anti-microbial vinyl upholstery colours - see page 15

Attachments

- A1-A9 - see page 13

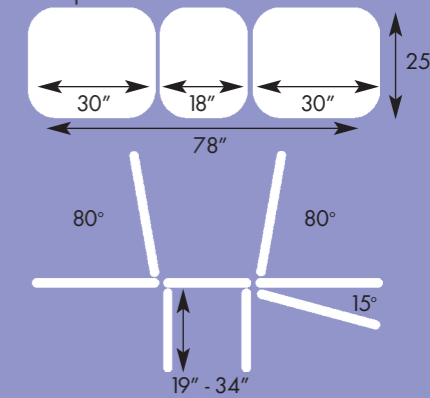


Special note:



Foot touch rail around base provides hands free instant electronic height adjustment from all sides of plinth.

Footprint: 23" x 57"



T: 0121 332 1850

F: 0121 332 1851

W: www.meditelle.co.uk

E: enquiry@meditelle.co.uk



T: 0121 332 1850

F: 0121 332 1851

W: www.meditelle.co.uk

E: enquiry@meditelle.co.uk

Medical Plinth

Penfield electronic three-section

- Electronic height operation as standard
- Electronic height adjustment by foot switch control
- Power assisted back and foot section controls provide smooth and swift adjustment
- Wide angle positive and negative positioning on end sections
- Retractable wheel base with foot lever control
- Double layered high grade density 2" foam upholstery
- Steel frame with white anti-microbial protective coating



Options

- Additional +3" width
- Breather hole
- Anatomic memory foam
- Choice of anti-microbial vinyl upholstery colours - see page 15

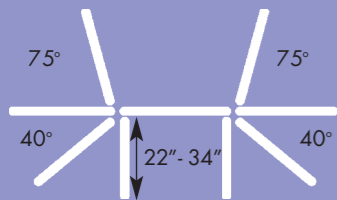
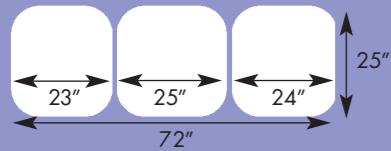
Attachments

- A1-A9 - see page 13



PEN2300

Footprint: 23" x 43"



Medical Plinth

Halsted electronic two-section extra wide

- Electronic height operation as standard
- Electronic height adjustment by foot switch control
- Lifting back rest with double ratchet mechanism
- Twin steel pillar for added rigidity
- Retractable wheel base with foot lever control
- Double layered high grade density 2" foam upholstery
- Steel frame with white anti-microbial protective coating
- Extra wide 40" as standard



Options

- Narrower -4" width
- Wider +8" width
- Breather hole
- Anatomic memory foam
- Alternative hydraulic height operation (pictured)
- Choice of anti-microbial vinyl upholstery colours - see page 15

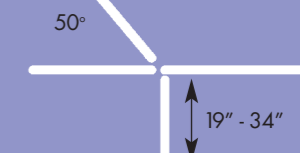
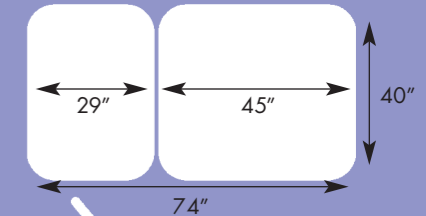
Attachments

- A1-A3 - see page 13



HAL2400

Footprint: 33" x 72"



Specification note:

Height ranges may vary on hydraulic model options - specification details upon request.
Most couch models can be adapted to accommodate any type of hoist - to special order.



T: 0121 332 1850 F: 0121 332 1851 W: www.meditelle.co.uk E: enquiry@meditelle.co.uk



T: 0121 332 1850 F: 0121 332 1851 W: www.meditelle.co.uk E: enquiry@meditelle.co.uk



Treatment Couch

Osler **electronic two-section and three-section**

- Electronic height operation as standard
- Electronic remote control provides instant height adjustment by hand console
- Power assisted section control/s provides smooth and swift adjustment
- Retractable wheel base with foot lever control
- Double layered high grade density 2" foam upholstery
- Steel frame with white anti-microbial protective coating

Configurations

- Two section with adjusting back rest
- Three section with adjusting back and foot rest

Options

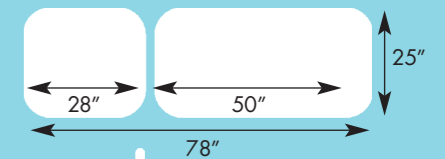
- Additional +3" width
- Breather hole
- Anatomic memory foam
- Alternative electronic footswitch control
- Choice of anti-microbial vinyl upholstery colours - see page 15

Attachments

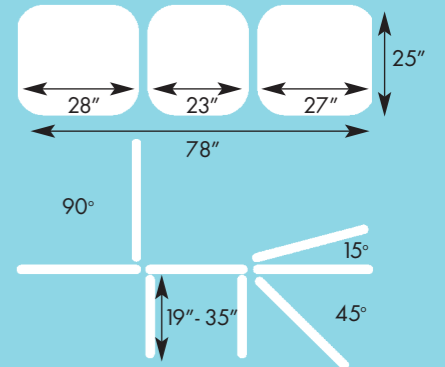
- A1-A8 - see page 13



Footprint: 24" x 53"



Footprint: 24" x 53"



Treatment Couch

Huxley hydraulic two-section

- Hydraulic height operation as standard
- Pressured dynamic side mounted foot pump provides easy hydraulic lift
- Power assisted backrest section control provides smooth and swift adjustment
- Tubular pillar supports for optimum strength and stability
- Adjustable stabilising feet
- Double layered high grade density 2" foam upholstery
- Steel frame with white anti-microbial protective coating

Options

- Additional +3" width
- Breather hole
- Anatomic memory foam
- Choice of anti-microbial vinyl upholstery colours - see page 15

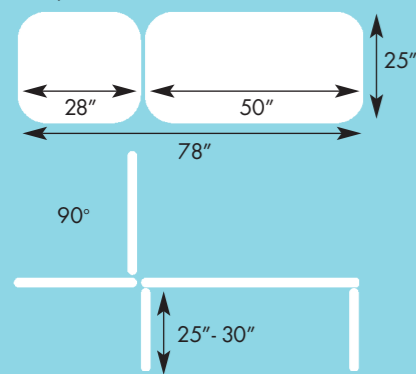
Attachments

- A1-A8 - see page 13



HUX3200

Footprint: 24" x 61"



Treatment Chair

Addison electronic / split leg

- Electronic height operation as standard
- Electronic remote control provides instant height adjustment by hand console
- Power assisted back and foot section controls provide smooth and swift adjustment
- Retractable wheel base with foot lever control
- Double layered high grade density 2" foam upholstery
- Steel frame with white anti-microbial protective coating

Configurations

- Single foot section
- Split leg foot section

Options

- Additional +3" width
- Breather hole
- Anatomic memory foam
- Alternative electronic footswitch control
- Choice of anti-microbial vinyl upholstery colours - see page 15

Attachments

- A2-A8 - see page 13



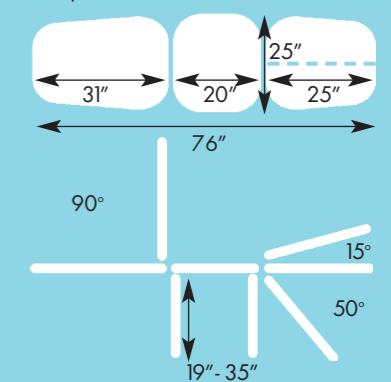
ADD3300



Special note:

Addison Split Leg Model
Split Leg Foot Section can be raised and lowered independently using power assisted control.

Footprint: 23" x 39"



Clinic Chair

Joslin electronic / split leg / gynae

- Electronic height operation as standard
- Electronic remote control provides instant height adjustment by hand console
- Power assisted back and foot section controls provide smooth and swift adjustment
- Seat section has a fixed tilt of 10°
- Retractable wheel base with foot lever control
- Double layered high grade density 2" foam upholstery
- Steel frame with white anti-microbial protective coating

Configurations

- Single foot section
- Split leg foot section
- Gynae seat section

Options

- Anatomic memory foam
- Alternative electronic footswitch control
- Alternative hydraulic height operation
- Choice of anti-microbial vinyl upholstery colours - see page 15

Attachments

- Joslin A2-A4/A7-A8
- Joslin Gynae A5 (comes complete with leg supports and arm loops) See page 13



JOS4120

Special note:

Joslin Gynae Special Features

- Gynae model features perineal cut out and includes seat extension pad; arm support loops and foot supports as standard.
- Seat extension pad readily adapts the chair for multi use.
 - Padded leg supports securely attach to the framework and can be raised/lowered and fully rotated (detachable).
 - Arm loops provide safety and support.



JOS4120



JOS4110

Special note:

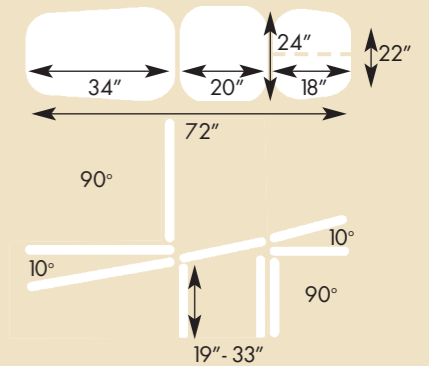
Joslin Split Leg Model

Split Leg Foot Section can be raised and lowered independently using power assisted controls.

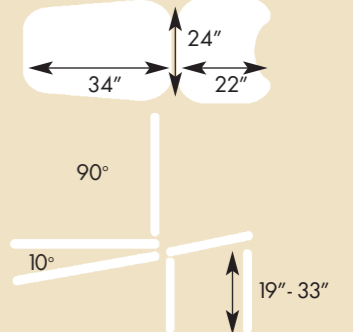


JOS4100

Footprint: 17" x 28"



Footprint: 17" x 28"



Clinic Chair Henderson hydraulic

- Hydraulic height operation as standard
- Pressured dynamic foot pump provides easy hydraulic lift with patient seated
- Power assisted adjustable back section control
- Chair rotates through 360° with locking facility
- Upholstered black composite armrests can be raised/lowered and moved backwards/forwards using push button mechanism
- Aluminium base with load controlled braking castor wheels
- Double layered extra thick 4" contoured upholstery

Options

- Anatomic memory foam
- Choice of anti-microbial vinyl upholstery colours - see page 15

Attachments

- A7 comes complete with head support, armrests and foot bar (detachable) - see page 13

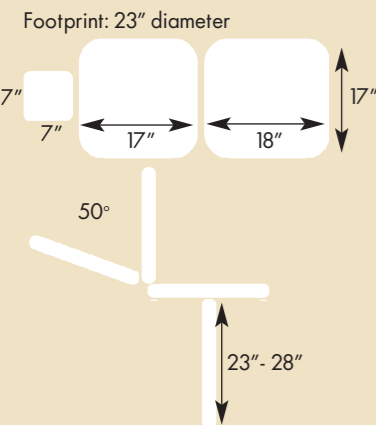


HEN4200

Special note:

Phlebotomy Arms

Henderson Clinic Chair comes complete with standard armrests which can be easily removed and interchanged with phlebotomy arm (see page 13).



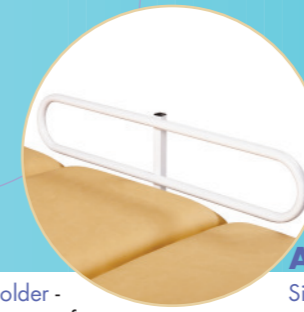
Couch & Chair Attachments

All attachments should be ordered with couch at time of manufacture



A1

Hygiene Roll Holder - allows full extension of the paper over the length of the couch.



A2

Side Supports (pair) - provide additional patient safety. Conveniently fold down when not in use/for easy access.



A3

Head Cushion - foam padded vinyl upholstered head cushion provides patient support and comfort both in a lying and seated position. Detachable.



A4

IV Pole - can be mounted on either side of couch. Height adjustable/detachable.



A5

Stirrups (pair) - ankle stirrups for gynae/lithotomy procedures. Can be raised/lowered and fully rotated. Detachable.



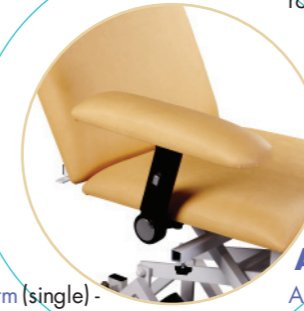
A6

Leg Support Troughs (pair) - padded and shaped leg supports provide patient comfort for gynae/lithotomy examinations. Can be raised/lowered and fully rotated. Detachable.



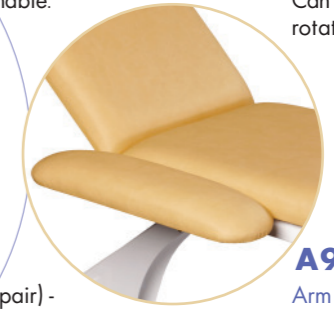
A7

Phlebotomy Arm (single) - shaped arm support designed for phlebotomy procedures. Can be used either side of the couch/chair. Adjustable/detachable.



A8

Arm Supports (pair) - upholstered side pads designed for support of the arm and hand. Can be raised/lowered and moved backwards/forwards using push button mechanism.



A9

Arm Extensions (pair) - upholstered side supports add comfort and extend width of couch. Conveniently fold down when not in use/for easy access.



Features & Options

Hydraulic Models

Hydraulic system gives operator a manual height adjustment by pedal lever. Requires a pump action to raise and downward pressure to lower the couch.



Breathing Hole

An integral nose hole inserted into head section, complete with plug.



Retractable Castor Wheels

Allows the couch to be moved/positioned with ease. Wheels can be lowered and retracted using foot levers.



Technical Information

Safe Working Load - all electronic, hydraulic and static couches have a safe working load of 225kgs; portable couches have a SWL of 160kgs. All electronic couches feature a CE approved 24v DC (6000n, 3.5amp) electric motor which has been tested for mechanical safety and load bearing.

Specification Variations

Height ranges may vary on hydraulic model options - specification details upon request. Most couch bases can be adapted to provide clearance for patient hoist access- to special order. All height ranges are measured from floor to top surface working height and have a tolerance of +/- 1.5cm. All angular measurements have a tolerance of +/- 5°.

Hoist Access

A base variant is available to special order on most couches to allow hoist access.



Power Assisted Sections

Gas-sprung power assisted section controls provide a smooth and swift hand operated adjustment with minimal effort. Automatically locks into position when lever is released.

Electronic Models

Electronically operated instant height adjustment can be controlled by either a hand held console pad or foot switch.



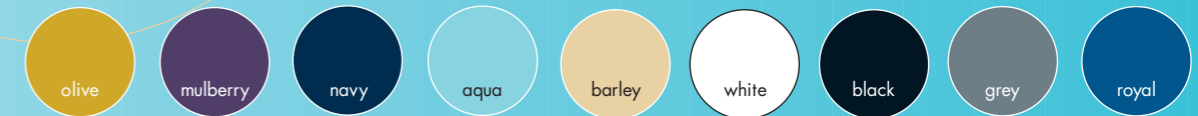
Selected models feature an electronic touch sensitive foot rail accessed on all sides of plinth for instant hands-free height control.



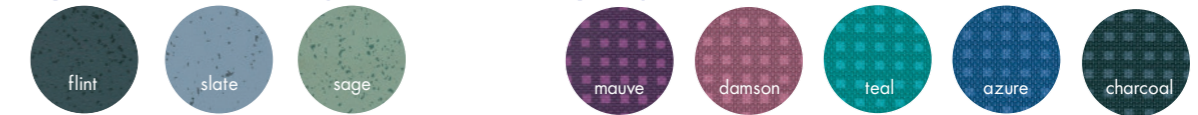
Vinyl Guide

Meditelle anti-microbial vinyl coverings are especially chosen for their suitability across a broad spectrum of healthcare applications.

Standard Vinyl Colours



Optional Vinyl Colours (available as a cost option)



Quality systems approved to ISO TS 16949, ISO14001

Infection Control - Vinyl

Meditelle vinyl is suitable for use in high risk Infection Control areas. It contains an anti-microbial additive to provide long-lasting effectiveness even after regular cleaning. Independent laboratory tests show that it is effective against the spread of MRSA, E coli and other bacteria on its surface. Clostridium Difficile can not multiply on the vinyl surface under normal aerobic conditions.

Stain Resistance - Meditelle Vinyl coated fabrics are hydrophobic and do not absorb water or retain dampness and can be completely dried after washing. Resistant to urine, mild acids/alkalis, drinks and beverages which can be easily wiped off.

Upholstery Vinyl Technical Information

Quality - Conforms to BS5790 part 1: Type 2: Grade X: 1996 and ISO7617-1: 1994E
Flame Retardancy - Inherently flame retardant. Conforms to DOE FTS No 3 Source 5
 BS5852: 2006 Section 4: Ignition Sources 0 and 1; Clause 11: Ignition Source 5
 BS7176: 2007 Medium Hazard
 BS EN1021-1 Part 1; EN1021-2 Part 2: 2006 (ISO8191-1: 1987 and ISO 8191-2: 1988)
 BS5852 1990: Section 4
 IMO Res A 652 (16)
 EASA.CS925.853(a) App F, Part 1 (A) (i and ii) - as C.A.A.8

Memory Foam

Meditelle's Anatomic Memory Foam offers superior pressure management and provides therapeutic comfort for the patient. A top layer of 50F density conforming foam moulds to your patients' unique body shape and temperature and provides excellent weight distribution, while offering support, comfort and pressure relief (available as a cost option).



Infection Control - Framework

Meditelle's framework is finished using a powder coating that incorporates an ingredient to prevent the growth of bacteria, mould and fungi. This powder coating effectively inhibits growth of bacteria such as MRSA and E coli. Microbial efficiency is ensured as the ingredient is uniformly distributed throughout the coated film to ensure long term performance for the life of the powder coating.

Powder Coating Technical Information Performance

Powder coatings have undergone microbiological laboratory testing for antibacterial performance using the JIS Z 2801:2000 Industrial Standard method against the two most widely encountered and problematic organisms:- Staphylococcus Aureus(MRSA strain) and Escherichia (E) coli. With both Micro-organisms, at least a 3-log (i.e. 99.9%) reduction in population was seen compared to an unmodified control.



Hydraulic height adjustment offered Electronic height adjustment offered

Options should be ordered with couch at time of manufacture.

T: 0121 332 1850 F: 0121 332 1851 W: www.meditelle.co.uk E: enquiry@meditelle.co.uk



T: 0121 332 1850 F: 0121 332 1851 W: www.meditelle.co.uk E: enquiry@meditelle.co.uk



Examination Couch Dunbar static two-section

- Static fixed height
- Multi-positioning double ratchet backrest
- Tubular leg supports for optimum strength and stability
- Levelling leg for uneven floors
- Double layered high grade density 2" foam upholstery
- Steel frame with white anti-microbial protective coating
- Supplied flat packed

Options

- Additional +3" width
- Breather hole
- Anatomic memory foam
- Choice of anti-microbial vinyl upholstery colours - see page 15

Attachments

- A1 hygiene roll holder fitted as standard

Couch & Trolley System
Dunbar Trolley designed to fit underneath couch.

DUN5130

DUN5120

DUN5100

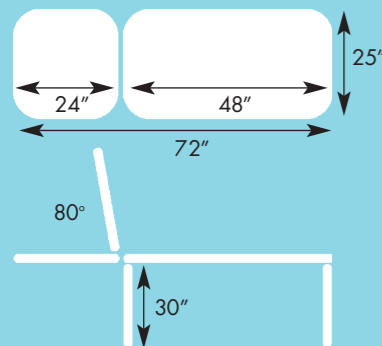
**Special note:
Paediatric Model**
The Dunbar single section Child Table features contoured upholstery which enhances comfort and security. Other features - as above.

Footprint: 23" x 51"

DUN5110

23"
51"

Footprint: 24" x 67"



PAG5200

**Special note:
The Paget Portable Couch**
folds together for easy storage and transportation. A protective case is available.

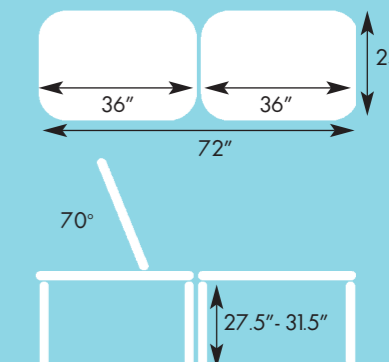
Examination Couch Paget portable two-section

- Adjustable height
- Manual height adjustable legs with non slip feet
- Multi-positioning double ratchet backrest
- Slightly splayed legs with locking stays for added stability and safety
- Double layered high grade density 2" foam upholstery
- Steel frame with white anti-microbial protective coating

Options

- Additional +3" width
- Breather hole
- Anatomic memory foam
- Choice of anti-microbial vinyl upholstery colours - see page 15

Footprint: 25" x 72" Portable weight: 15kg



Practice Furniture

Beaumont

treatment plinth two-section

- Static fixed height
- Multi-positioning double ratchet backrest
- Double layered high grade density 2" foam upholstery
- Steel frame surround has white anti-microbial protective coating
- Incorporates two integral wooden storage cabinets
- Liquid/water repellent treated wood finish
- Plinth and cabinets supplied ready assembled

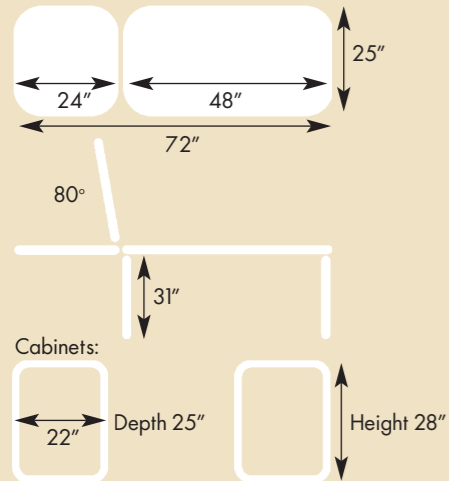
Options

- Additional +3" width
- Breather hole
- Anatomic memory foam
- Choice of anti-microbial vinyl upholstery colours - see page 15

Attachments

- A1/A3 - A7 - see page 13

Footprint: 25" x 72"



BEA6100

Special note: Room Furniture Systems

Co-ordinating Modular Room Cabinets are available to special order.

Beaumont standard cabinet configuration features head cabinet with single drawer and under cupboard with internal adjustable shelf; foot cabinet with 5 drawer stack.



Practice Furniture

Morton

treatment table two-section

- Static fixed height
- Multi-positioning double ratchet backrest
- Sturdy construction
- Double layered high grade density 2" foam upholstery
- Liquid/water repellent treated wood finish
- Table supplied ready assembled

Options

- Additional +3" width
- Breather hole
- Anatomic memory foam
- Choice of anti-microbial vinyl upholstery colours - see page 15

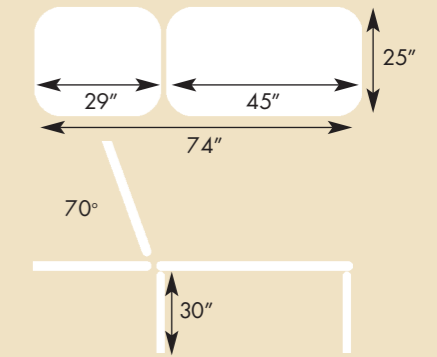
Attachments

- A1/A3 - see page 13



MOR6200

Footprint: 25" x 72"



T: 0121 332 1850

F: 0121 332 1851

W: www.meditelle.co.uk

E: enquiry@meditelle.co.uk



T: 0121 332 1850

F: 0121 332 1851

W: www.meditelle.co.uk

E: enquiry@meditelle.co.uk



Mesmer Trolley Range

General

- Mild steel frame with white anti-microbial protective coating for hygiene and easy cleaning
- 75mm twin wheel castors (2 front braked)
- Supplied fully assembled

Configurations

- Push/pull retaining rails; 2 shelves; optional drawer; H32" x W23" x D16" (7100/7110)
- 2 shelves, tray and basket; H34" x W19" x D15" (7120)



Special note:
Dunbar Trolley
H27" x W24" x D16" - see page 16

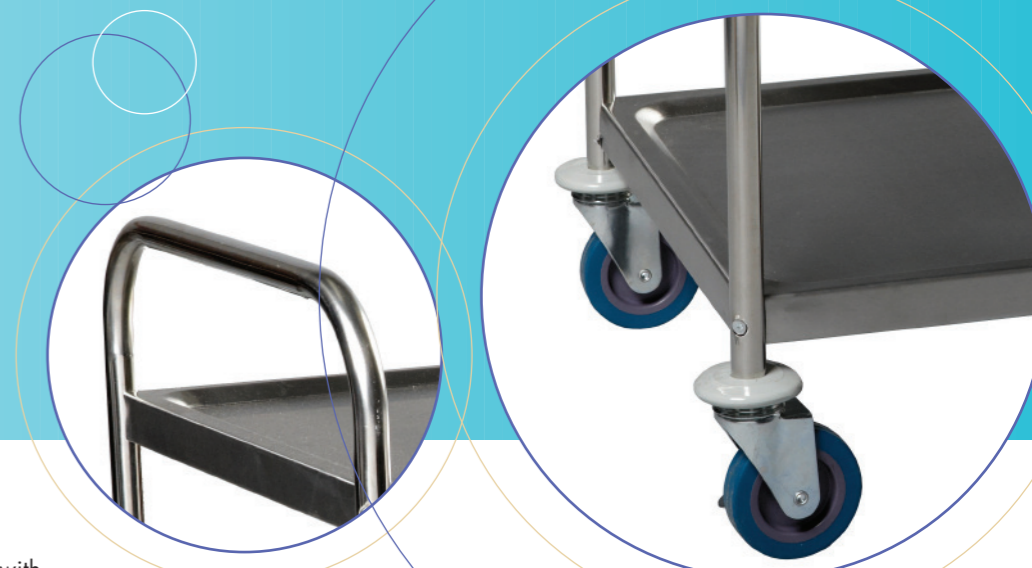


Surgical

- Stainless steel frame
- Stainless steel shelves
- Push/pull rails
- 80mm wheel castors (2 front braked) fitted with protective buffers
- Supplied fully assembled

Configurations

- Available with 2 or 3 shelves
- Available in two sizes - H36" x W32" x D20"; H36" x W20" x D20"



Avery Ancillary Range

Double Steps

- Double step with grooved anti-slip rubber tread
- Steel frame with white anti-microbial protective coating
- H12" x W15" x D7"

Arm/Leg Rest Support

- Levelling feet for uneven floors
- Tilting adjustable pad L26" x W9"
- Variable height 30"-36"

Leg/Foot Rest Support

- Top pad L16" x W8"
- Legs adjust independently 14"-18"

Ancillary Options

- Choice of anti-microbial vinyl upholstery colours - see page 15



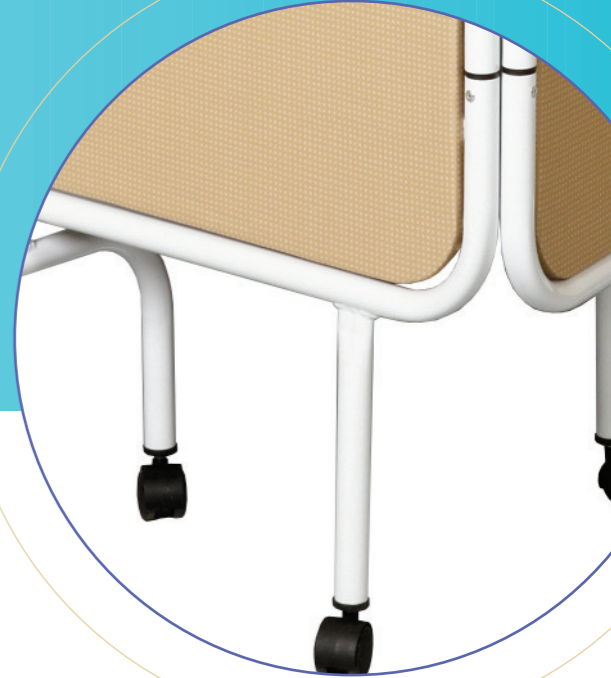
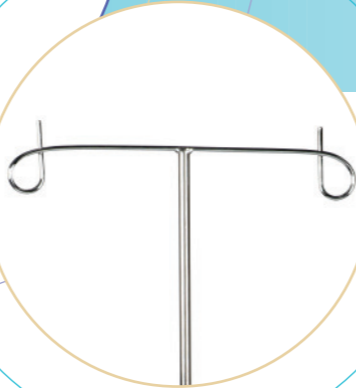
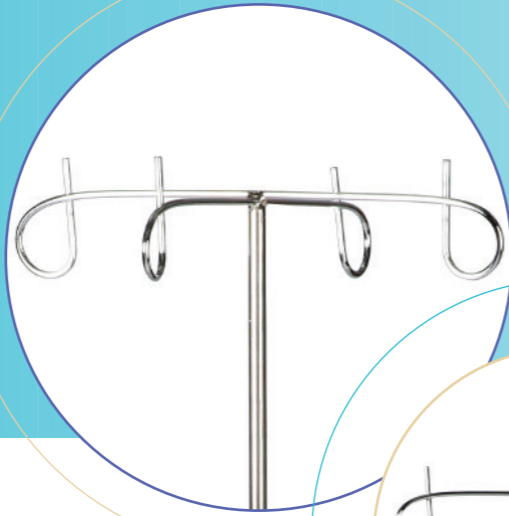
Drip Stand with IV Pole

- Black composite base with swivel castors (1 braked)
- Height adjustment 48"-75"

Configurations

- Head fitted with two or four hooks

AVE8200/8300



Screen Systems

- Frame in white anti-microbial protective epoxy coating
- Swivel castors
- Dimensions H69" x W24" per panel

Configurations

- Four or six fold solid panels in a choice of easy to clean anti-microbial vinyl - see page 15
- Four or six fold partitions with white polyester curtains

Options

- Silver epoxy coated frame
- Chromium plated frame

Hansen Seating Range

Chairs & Stools - General

- Pneumatic height adjustment 20"-28" (plus seat tilt adjustment on chair models)
- Independent pneumatic backrest height and tilt adjustment (on chair models)
- High grade scuff resist anti-microbial seamless vinyl upholstery covering
- Black non-chip epoxy coated finish on gas lift, back bar and foot ring spokes
- Black composite base with hard free-wheeling castor wheels

Options

- Optional black composite folding/adjustable armrests (on chair models)
- Alternative high lift and low lift heights
- Alternative soft anti-static castors; brake loaded castors or gripper feet
- Choice of upholstery colours - see page 15



HAN9110



Sit/Stand Stool

Comfortable moulded polyurethane black seat that resists stains and optimises leg circulation with 24"-34" height adjustment and black reinforced nylon base.

Special note: Adjustable Armrests can be raised/lowered and moved backwards/forwards using push button mechanism.



Up



Down



Back



HAN9100



HAN9400/9410



HAN9500

Stools - Ergonomic

- Contoured seat pad
- Pneumatic height adjustment - saddle seat 20"-28"; medi seat 23"-33"
- High grade scuff resist anti-microbial seamless vinyl upholstery covering
- Aluminium finish on gas lift and foot rings
- Black non-chip epoxy coated finish on foot rest spokes (on saddle seats)
- Aluminium base with hard free-wheeling castor wheels

Configurations

- Static saddle seat with foot rest
- Tilting saddle seat with foot rest
- Tilting medi seat with foot operated height adjustment ring

Options

- Alternative high lift and low lift heights (on saddle seats)
- Alternative soft anti-static castors; brake loaded castors or gripper feet (on saddle seats)
- Choice of upholstery colours - see page 15

Tilting Saddle Seat - seat pad tilts by 35° with independent pneumatic paddle adjustment.

Medi Seat - features foot operated pneumatic height control to allow hands free adjustment of the seat height.





Lister

LIS2500

See website for full details

All descriptions, specifications and particulars contained in this brochure are given as a guide only. All dimensions and weights quoted are approximate and specification diagrams are merely representational. As our policy is one of continuous improvement we reserve the right to change specifications, prices and designs at any time without prior notice. All colours and finishes in this brochure are as accurate as the printing process will allow.



British producer of specialist medical equipment

Meditelle Product Division • **W:** www.meditelle.co.uk • **E:** enquiry@meditelle.co.uk

Beutelle Manufacturing Centre, Moor Lane, Witton, Birmingham, B6 7HH • **T:** 0121 332 1850 • **F:** 0121 332 1851

